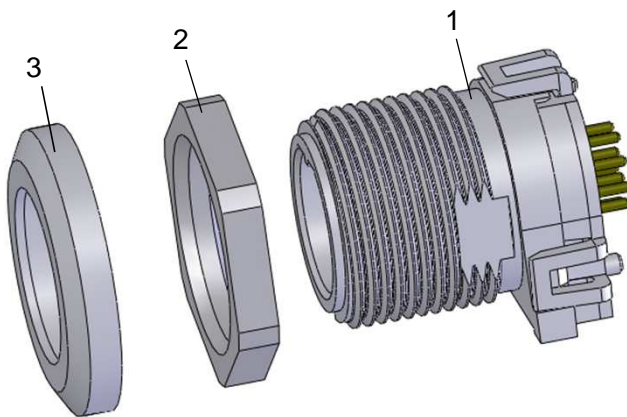


# Installation instruction

## Mini 7 /12 instrument socket

# NICOLAY

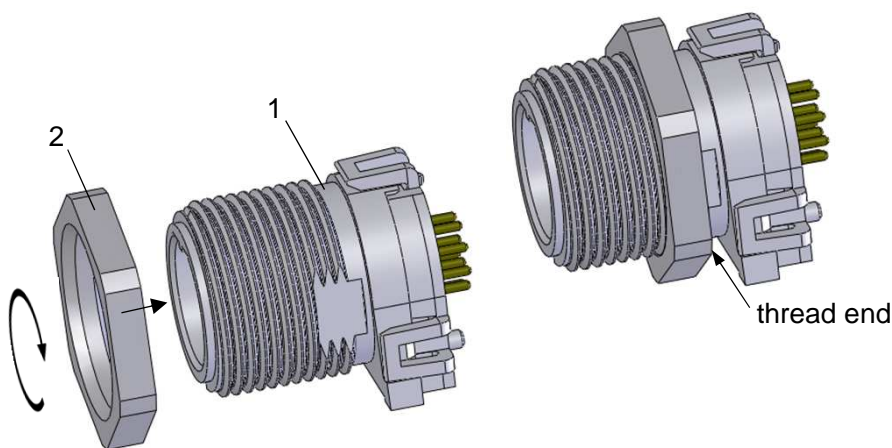
GREAT PERFORMANCE ENGINEERING



Scope of delivery :

- 1 Instrument socket
- 2 Hexagon nut M16x1
- 3 Front ring

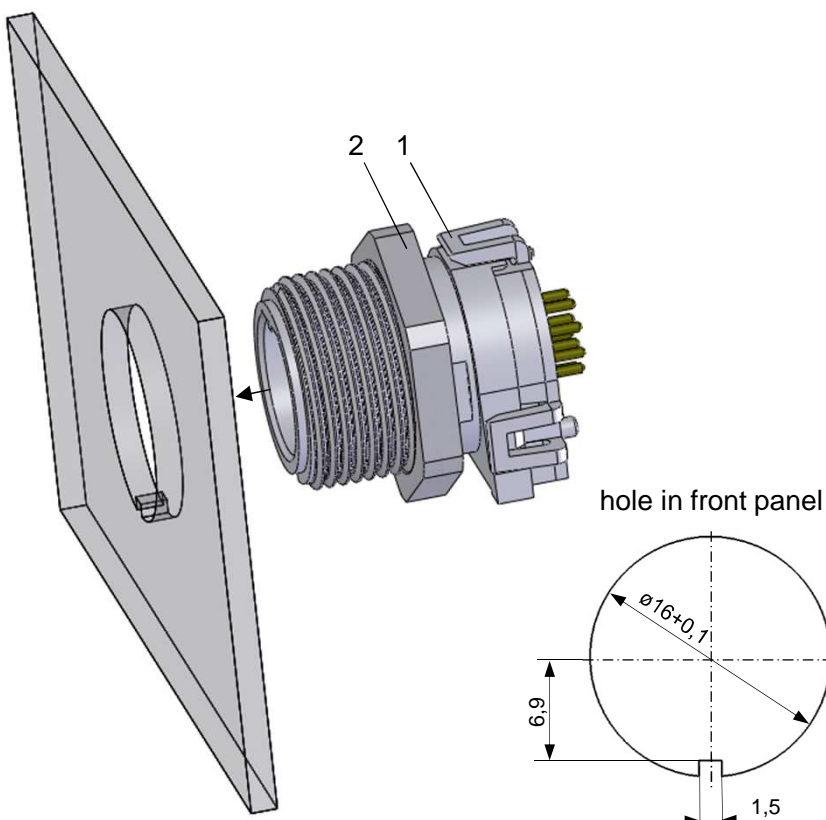
These installation instruction apply to all variants of Mini7 & Mini12 instrument sockets. Exceptions to this are the IP64/IP67 versions.



Assembly sequence :

Hexagon nut (2) on the instrument socket (1) until thread end unscrew.

**maximum front panel thickness: 3mm**

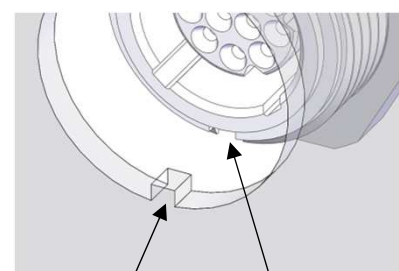


Clean surfaces before mounting:

Plug preassembled instrument socket (1+2) through the hole in the front panel. Pay attention to the alignment of the front panel and the groove of the instrument socket!

Recommendation:

To secure against twisting of the instrument socket to the front panel is a anti-rotation bar advantageous. This can be depending on the desired alignment of the instrument socket.



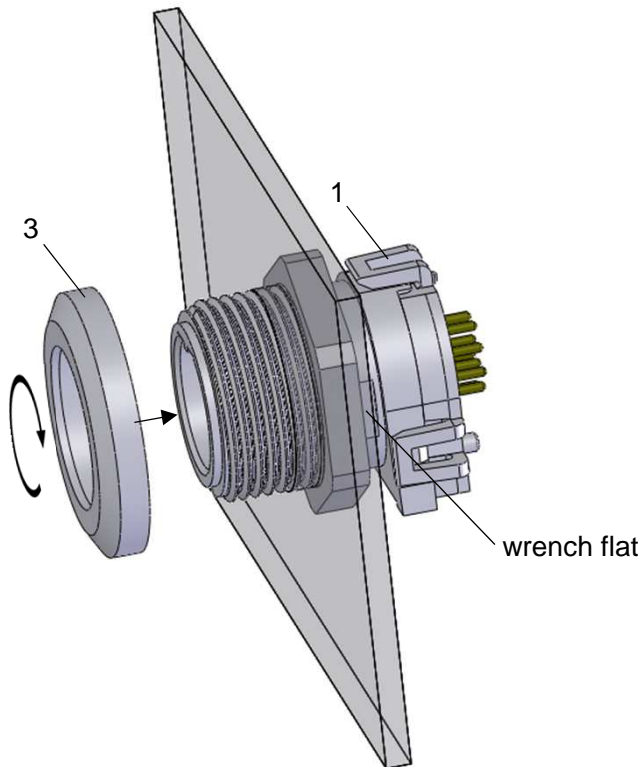
Anti-rotation bar groove instrument socket

# Installation instruction

## Mini 7 /12 instrument socket

# NICOLAY

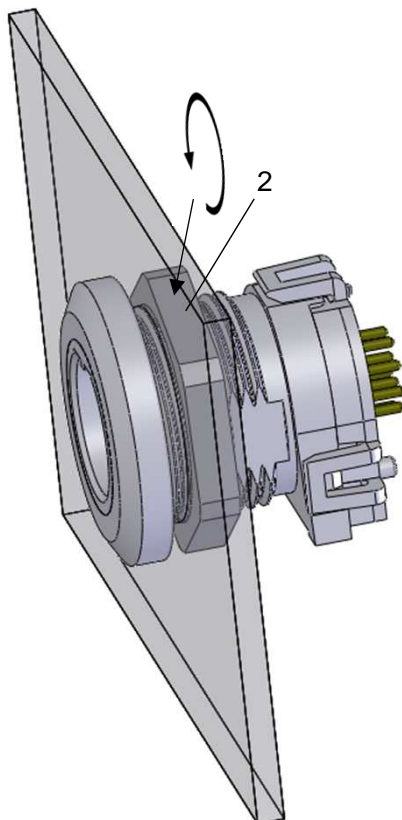
GREAT PERFORMANCE ENGINEERING



Screw on the front ring (3) flush onto the instrument socket:

**Recommended tightening torque front ring :**  
**25-30Ncm**

When tightening the hexagon nut, the instrument socket must be countered with a suitable tool. Also with anti-rotation bar in the front panel.



Place hexagon nut (2) flush against front panel and tighten with a suitable tool. Hold the instrument socket against the wrench flat.

**Recommended tightening torque hexagon nut :**  
**100Ncm±10Ncm**

